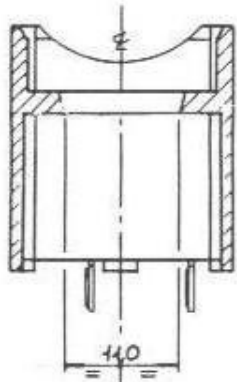
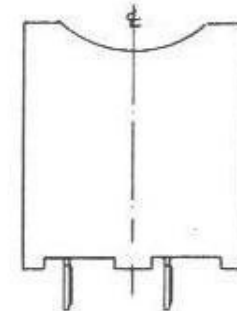
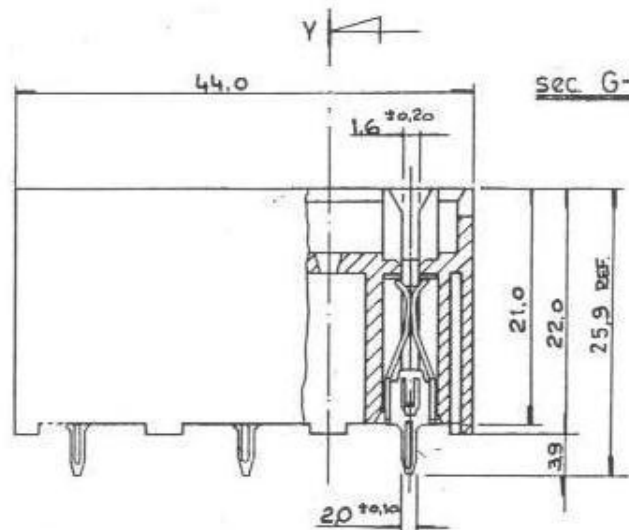


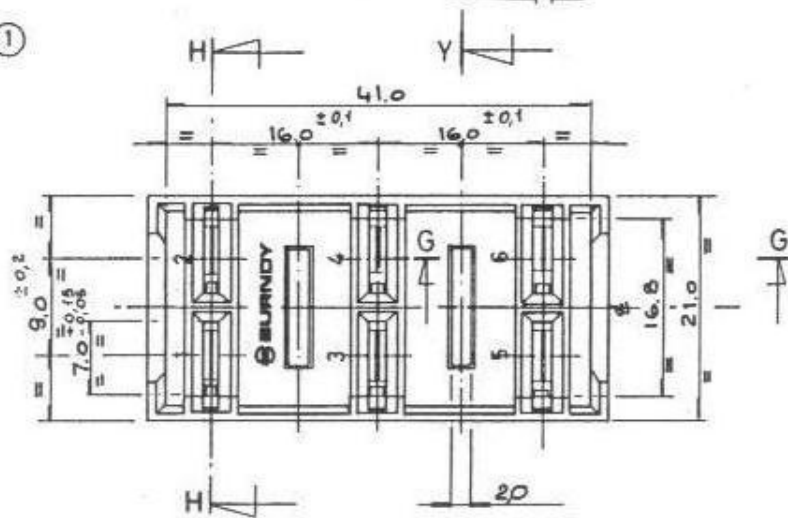
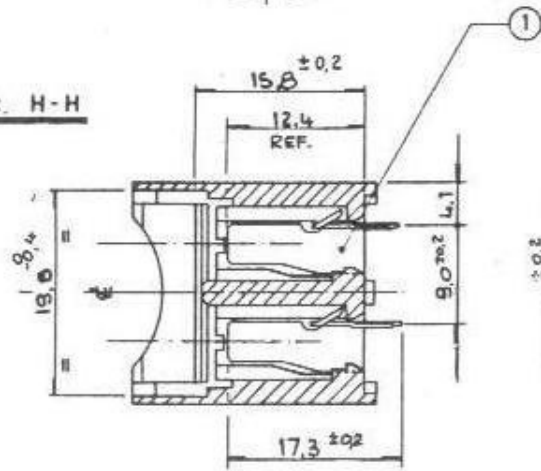
sec. Y-Y



sec. G-G



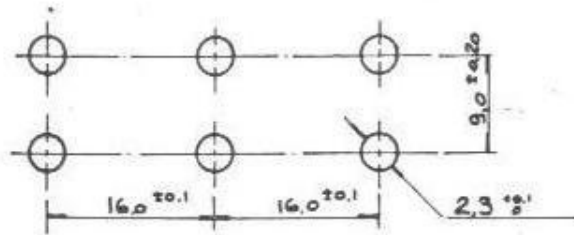
sec. H-H



NOTES:

- ① Burndy female contact cat.no FE014PT * T (see drwg. BSA 305824)
- ② BODY MATERIAL: PA 66 GF 15 UL94V-2, colour Black
- ③ CONTACT MTL: STOL 78 pre-tinned

RECOMMENDED P.C.B. HOLES DIMENSIONS



3x2 Pos. Fuse holder connector		Cat. No: FEC001 _g T	
Draft	bas.12128 H 16-10-83	This is our exclusive property. It is not to be copied, reprinted or disclosed to a third party, nor used for manufacturing, without our written consent, and, has to be returned to us in case of no usage.	European projection Not to scale All dimensions in mm Tolerances: ±0.3 mm Unless other w.l.s. specified
Design	Fabrizio E. 21.11.83		
Sales			
We reserve the right to change dimensions or requirements without prior notice.			
		BSC 305825 Customer drawing	
		Rev 5	

34-0001